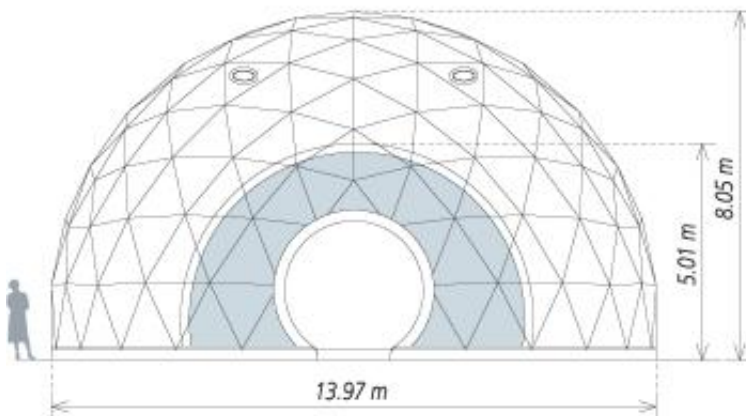
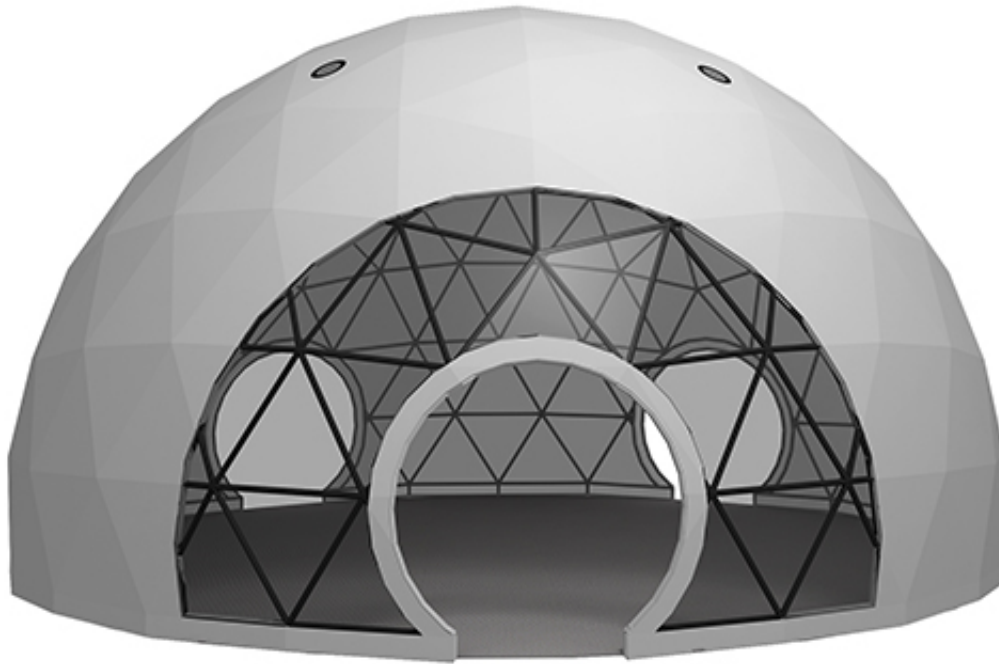
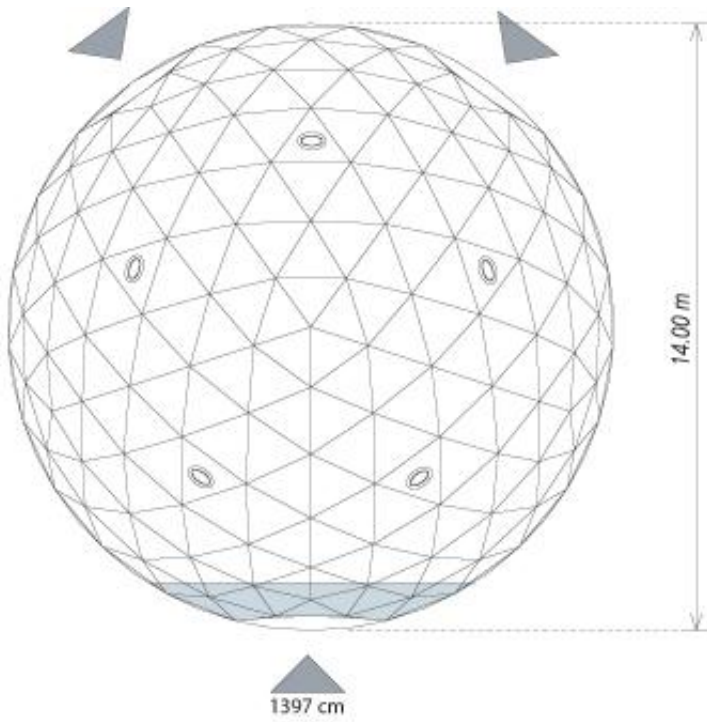


Tent image





Technical data

Flooring options

Cover

Compact flooring system

RÖDER No. 1: PVC-coated polyester textile, flame retardant to DIN 4102 B1, M2

Exhibition Space

150 m²

Diameter

1400 cm

Height

805 cm

Circular Entries

3

Upper vent

5

Mech. Ventilation Outlet

1

Circular Windows

5

Weight

1000 kg

Membrane Weight

174 kg

Wind Load

Beaufort 12 (DIN 4112)

Tent top and side view image